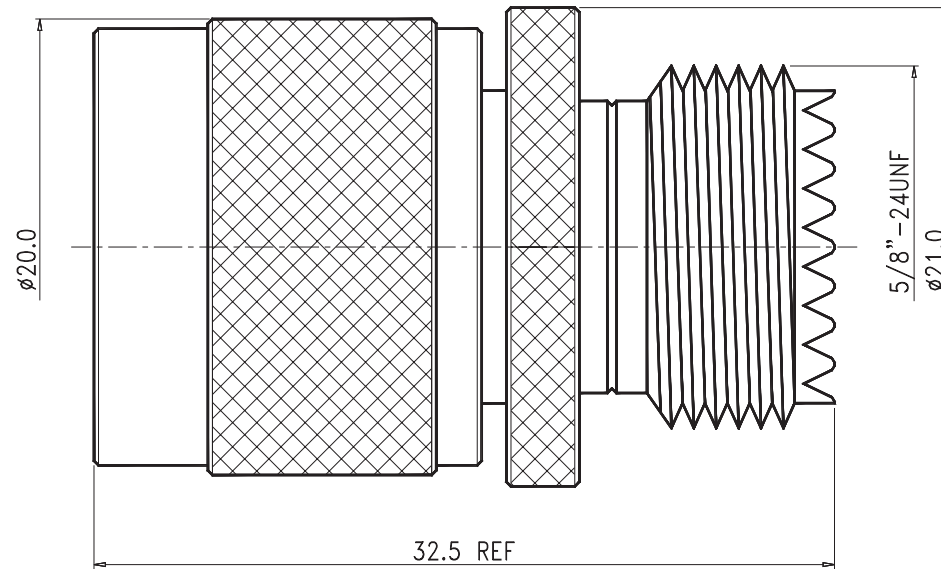


REVISION

REV	DATE	DESCRIPTION
△	7/04/20	INITIAL



7.	GASKET	SI-RUBBER	1	ORANGE
6.	Retaining RING	BRASS	1	NICKEL
5.	SHELL	BRASS	1	NICKEL
4.	CHASSIC	BRASS	1	NICKEL
3.	INSULATION	TEFLON	1	NONE
2.	PIN	BRASS	1	GOLD
1.	BODY	BRASS	1	NICKEL
NO.	DESCRIPTION	MATERIAL	Q'TY	FINISH

UNITS	SCALE	SIZE	TOLERANCE	DRAWN BY:	CHECKED BY:	CAD FILE
[in] mm	NTS	A	.X +/- 0.2 .XX +/- 0.1 .XXX +/- 0.05 ANGLE +/- 0.5	11-31-TGN		
SHEET 1 OF 1			PROPRIETARY AND CONFIDENTIAL THE INFORMATION IN THIS DRAWING IS THE SOLE PROPERTY OF TCC INDUSTRIES INC. ANY REPRODUCTION IN PART OR AS A WHOLE WITHOUT THE WRITTEN PERMISSION OF TCC INDUSTRIES INC. IS PROHIBITED.			

DESCRIPTION
N Adapter, Straight N Male to UHF Female



**TCC INDUSTRIES INC.**

7050 Village Drive unit E, Buena Park, CA 90621-2282  
 Tel. 714.523.8885 - FAX. 714.562.0888  
 E-Mail: info@tcinc.com Website: www.tcinc.com